



The technical specifications might not be congruent.

- NACA...10 (S1) series
- NENUTEC standard damper actuators are especially designed and produced for applications in the HVAC systems.
- Our wide range of NENUTEC damper actuators has been developed to operate air dampers of different sizes.

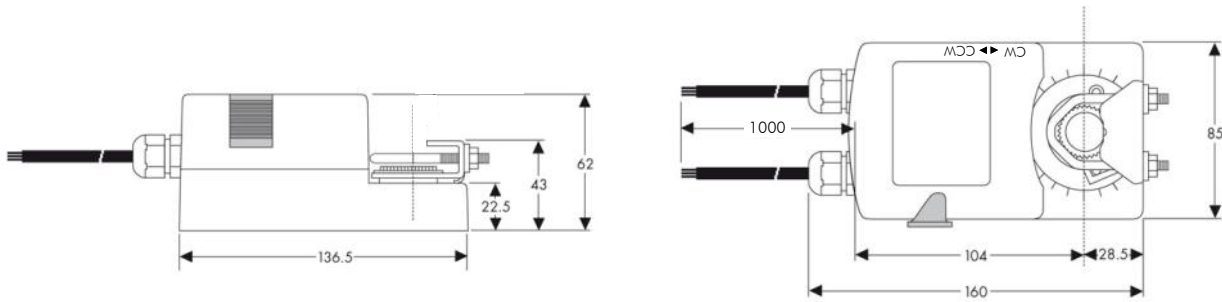
Product Features

- Torque 10 Nm
- Damper size 2.0 m²
- Power Supply AC/DC 24 V and AC 230 V
- Control 2 Point and 3 Point
- 1 adjustable auxiliary switch (SPDT)
- Shaft dimensions Ø 10 to 17 mm (new 20 mm) round /
□ 5 to 12 mm (new 14 mm) square
- Minimum shaft length 45 mm
- Selectable direction of rotation
- Adjustable angle of rotation
- Actuator with 1000 mm cable connection
- Customer version on request

Model Selection Table

Torque	Running Time	Power Supply	Auxiliary Switch	Model / Type
10 Nm	100...120 sec	AC/DC 24 V ± 10%	No	NACA 1-10
10 Nm	100...120 sec	AC/DC 24 V ± 10%	1 x SPDT	NACA 1-10 S1
10 Nm	100...120 sec	AC 230 V ± 10%	No	NACA 2-10
10 Nm	100...120 sec	AC 230 V ± 10%	1 x SPDT	NACA 2-10 S1

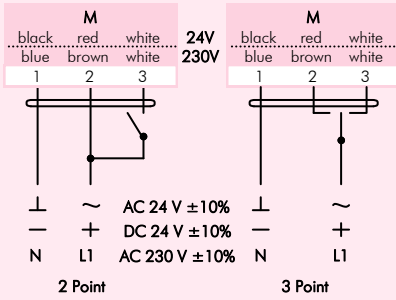
Actuator Dimensions (mm)



Technical Specifications

	NACA 1...(S1)	NACA 2...(S1)
Torque	10 Nm	10 Nm
Damper Size	2.0 m ²	2.0 m ²
Shaft dimensions new	Ø 10 to 20 mm round / □ 5 to 14 mm square	Ø 10 to 20 mm round / □ 5 to 14 mm square
Power Supply	AC/DC 24 V ± 10%	AC 230 V ± 10%
Frequency	50 - 60 Hz	50 - 60 Hz
Control Signal	2 point and 3 point	2 point and 3 point
Power Consumption		
- Operating	6.0 W	6.0 W
- End Position	2.0 W	4.0 W
For Wire Sizing	6.5 VA	6.5 VA
Auxiliary Switch Rating	3 (1.5) A, AC 250 V	3 (1.5) A, AC 250 V
Protection Class	III	II
Angle of Rotation	0°...90° (93° mechanical)	0°...90° (93° mechanical)
Angle of Limiting	0°...30° and 60°...90°	0°...30° and 60°...90°
Weight	0.95 Kg	1.0 Kg
Life Cycle	60'000 rotation	60'000 rotation
Sound Level	45 dB (A)	45 dB (A)
IP Protection	IP 54 (dust protected & protected against splash water)	IP 54 (dust protected & protected against splash water)
Operating Temperature	-20°...+50° C / IEC 721-3-3	-20°...+50° C / IEC 721-3-3
Non-Operating Temperature	-30°...+60° C / IEC 721-3-2	-30°...+60° C / IEC 721-3-2
Ambient Humidity	5%...95% rH non condensing / EN 60730-1	5%...95% rH non condensing / EN 60730-1
Maintenance	Maintenance free	Maintenance free
Mode of Operation	Type I / EN 60730-1	Type I / EN 60730-1
EMC	CE according to 89 / 336 / EWG	CE according to 89 / 336 / EWG

Wiring Diagram NACA 1/2...(S1) Power Supply AC/DC 24 V - AC 230 V

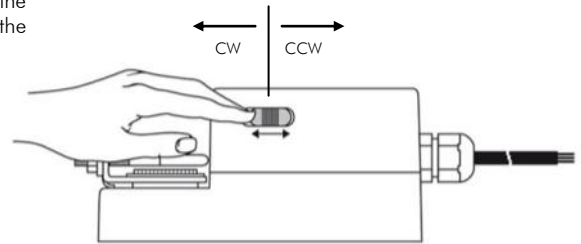


⚠ Connect via safety isolating transformer

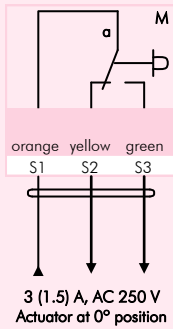
Changing Direction of Rotation NACA 1/2...(S1)

Factory-set CW!

The direction of rotation can be changed by pushing the CW/CCW switch on the actuator's housing.



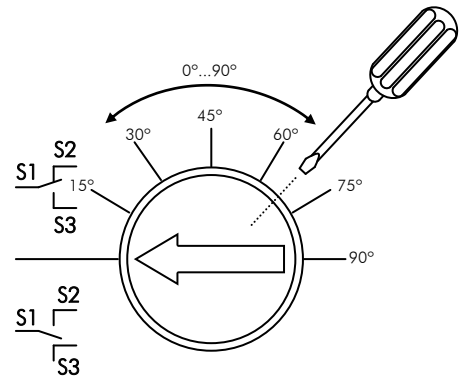
Wiring Diagram NACA 1/2...(S1) Auxiliary Switch



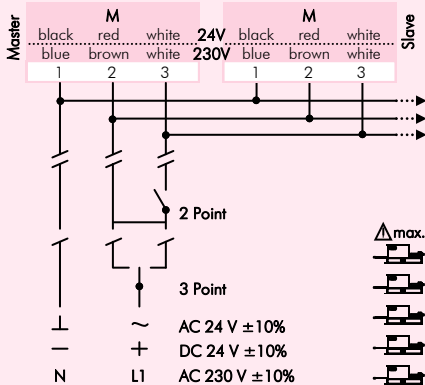
Adjustment of Auxiliary Switch NACA 1/2...(S1)

Switch factory-set at 5°

The Position of switches can be manually changed to any required position by moving the micro switch on the actuator's housing.



Wiring Diagram NACA 1/2...(S1) Parallel Connection

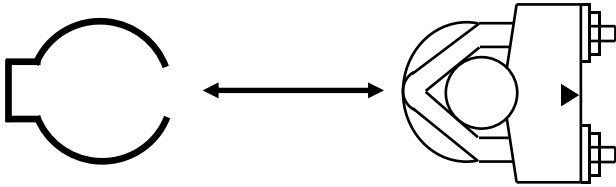


Remark

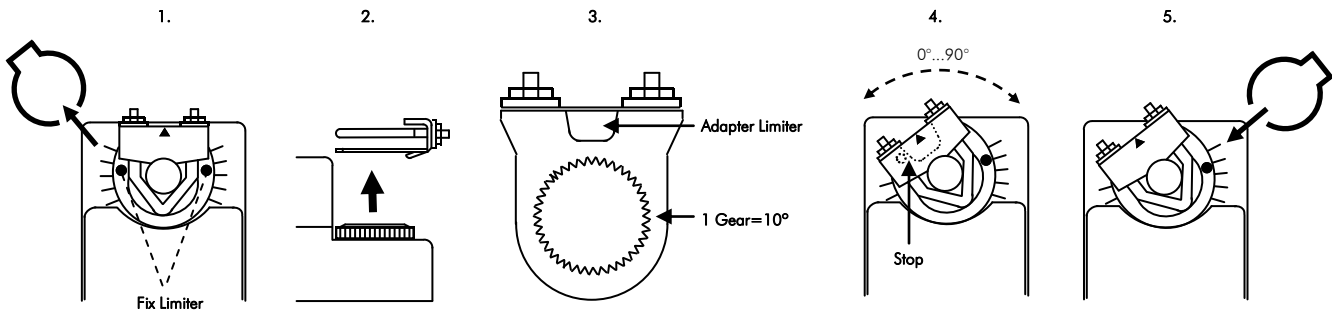
NACA...(S1) actuators are capable of operating in parallel.

Parallel connection of several actuators is possible. The Power consumption must be observed.

Releasing the Adapter NACA 1/2...(S1)



Limiting Angle of Rotation NACA 1/2...(S1)



OEM Customised Version on Request

TELIMA offers you NENUTEC actuators in customised versions, e.g. with your own brand name, with colour-coordinated applications and with your particular demand. Please contact us for further information.

Important Remark

Consult NENUTEC representatives for specific requirements and material selections for your intended application.



This actuator includes electrical and electronic components and may not be disposed as household garbage. Please consider the local valid legislation.



AC / DC 24 V: Connect via safety isolating transformer.

AC 230 V: To isolate from the main power supply, the system must incorporate a device which disconnects the phase conductor (with at least a 3 mm contact gap).



TELIMA AG

Research and Development
Schachenstrasse 80
CH - 8645 Jona/SG - Switzerland
T: +41 55 224 40 60
F: +41 55 224 40 69
E-Mail: info@telima.ch
Internet: www.nenutec.com